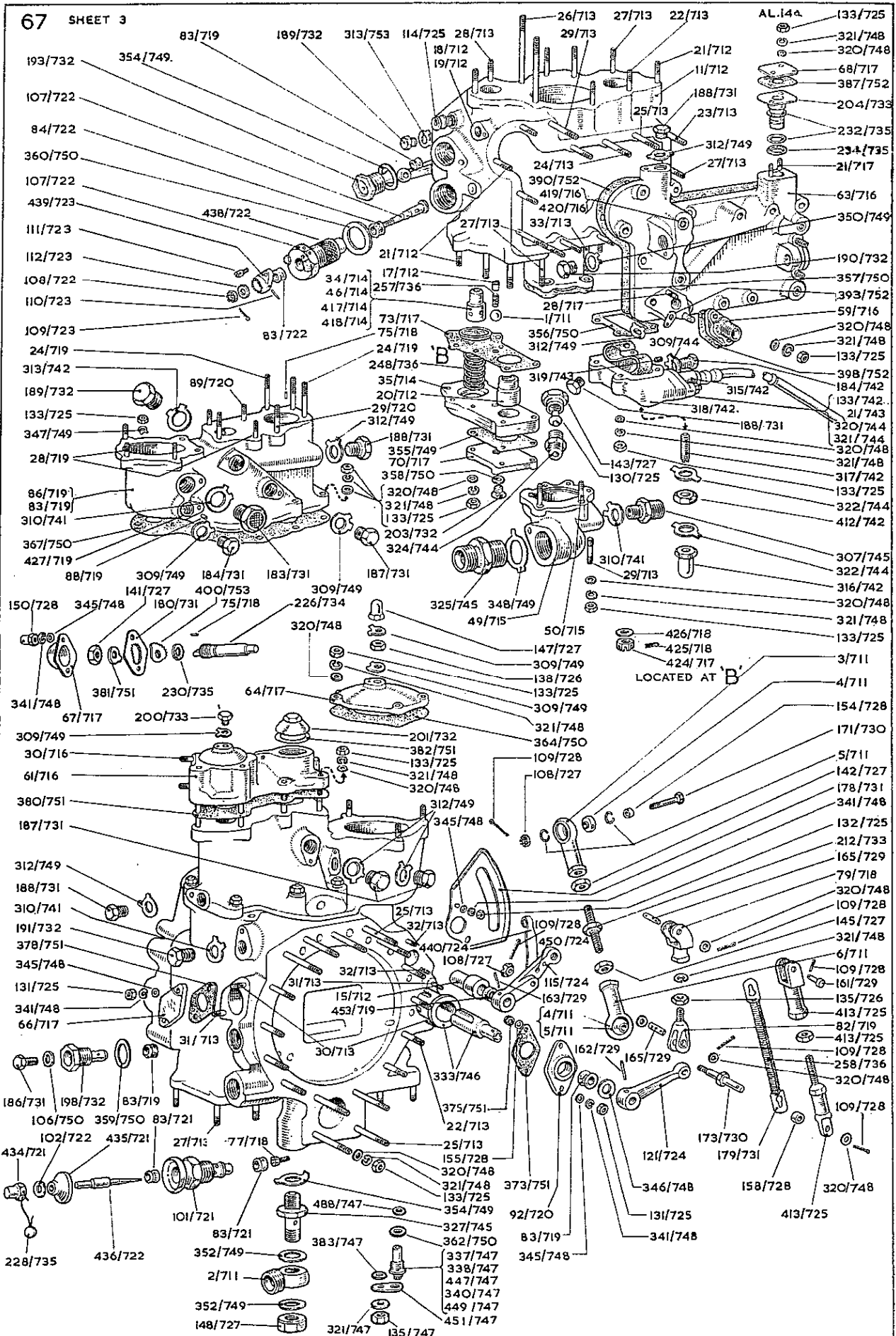
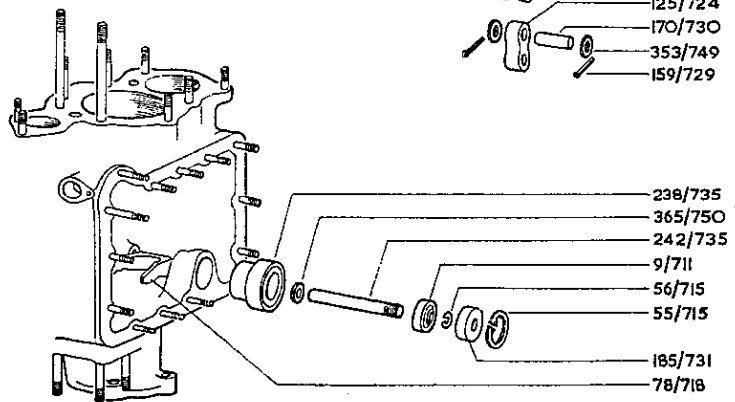
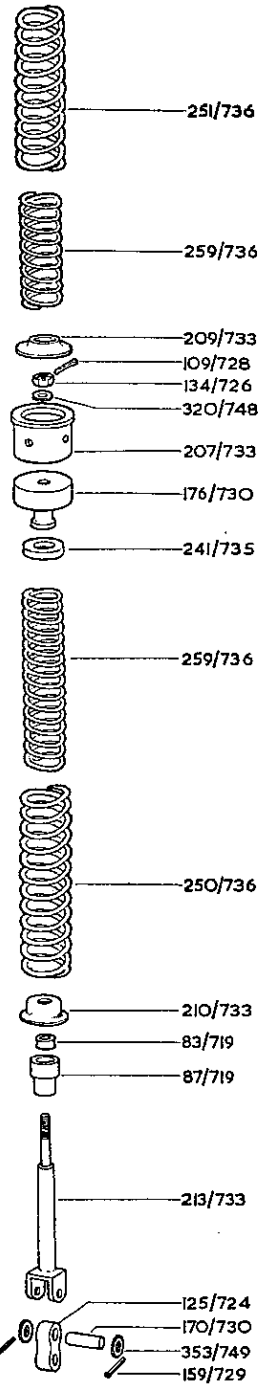
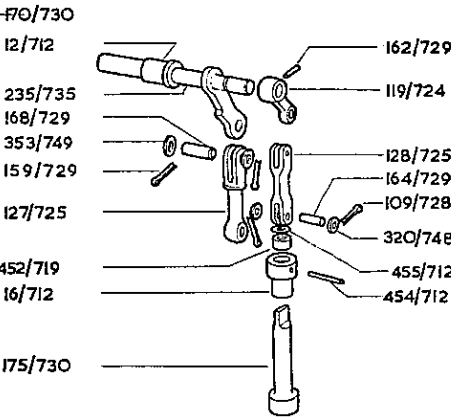
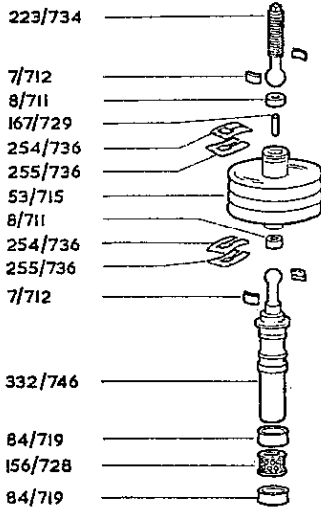
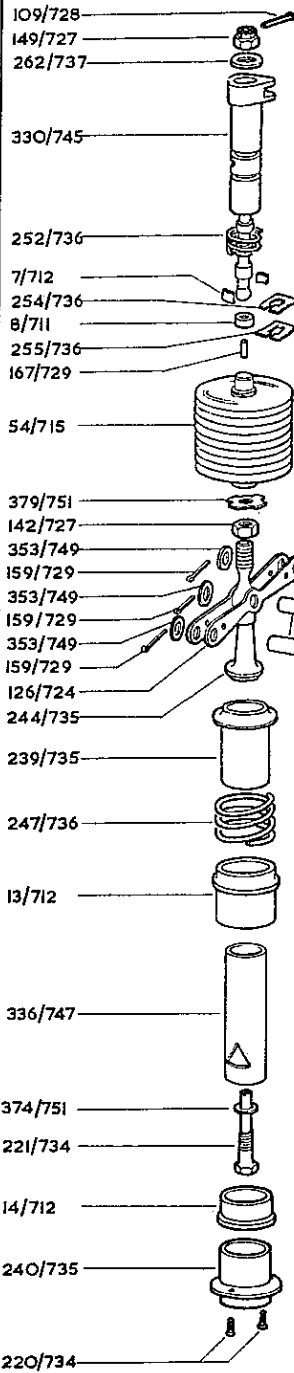


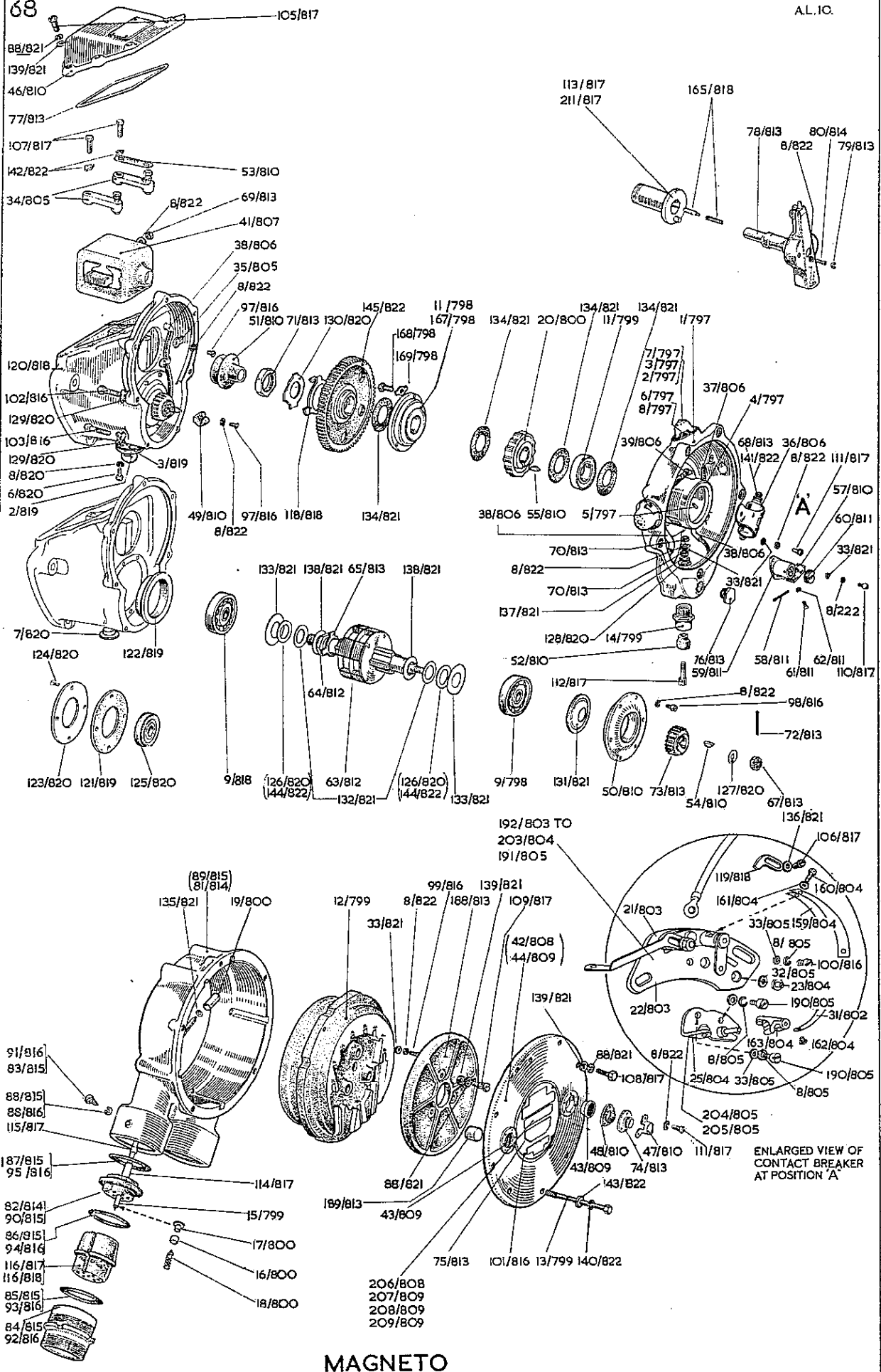
INJECTION CARBURETTOR



INJECTION CARBURETTOR

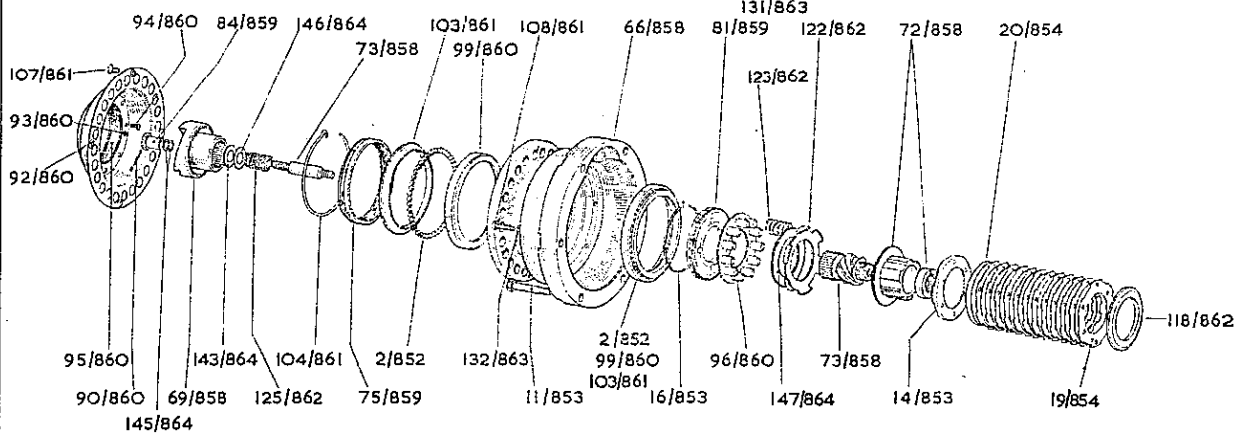
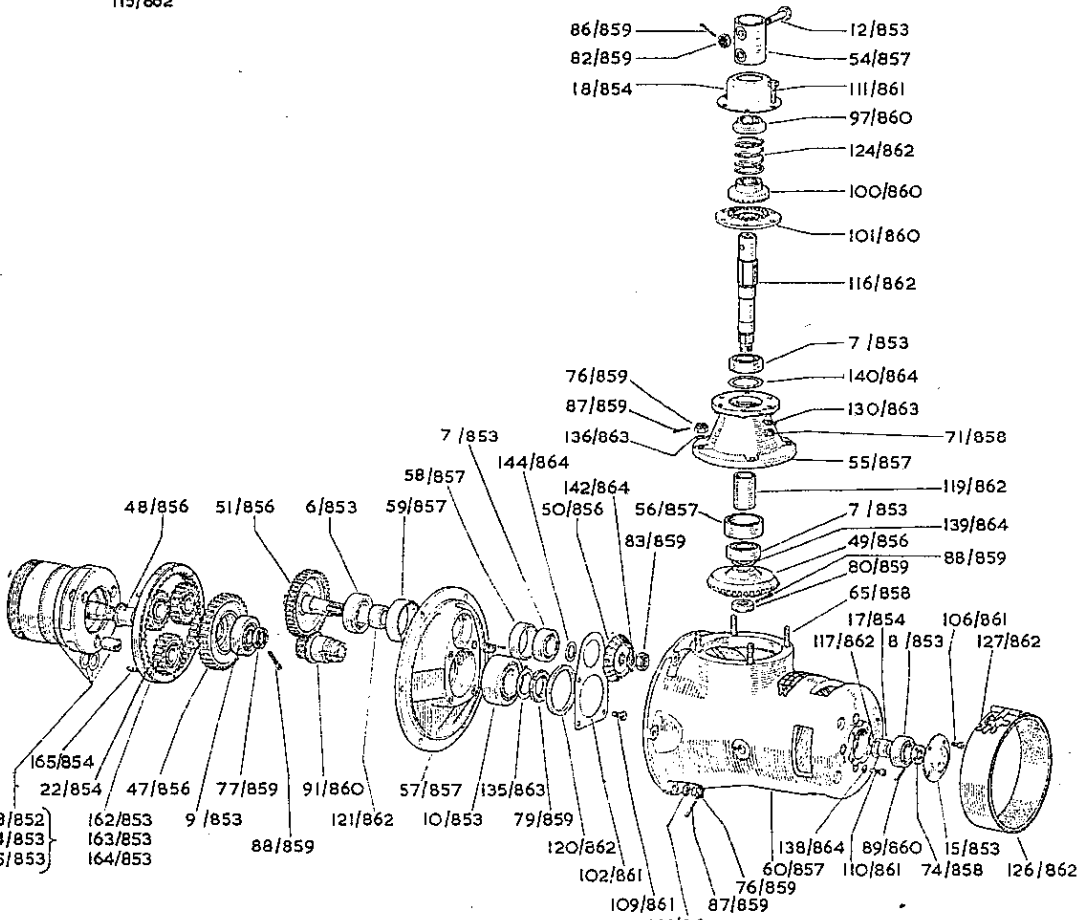
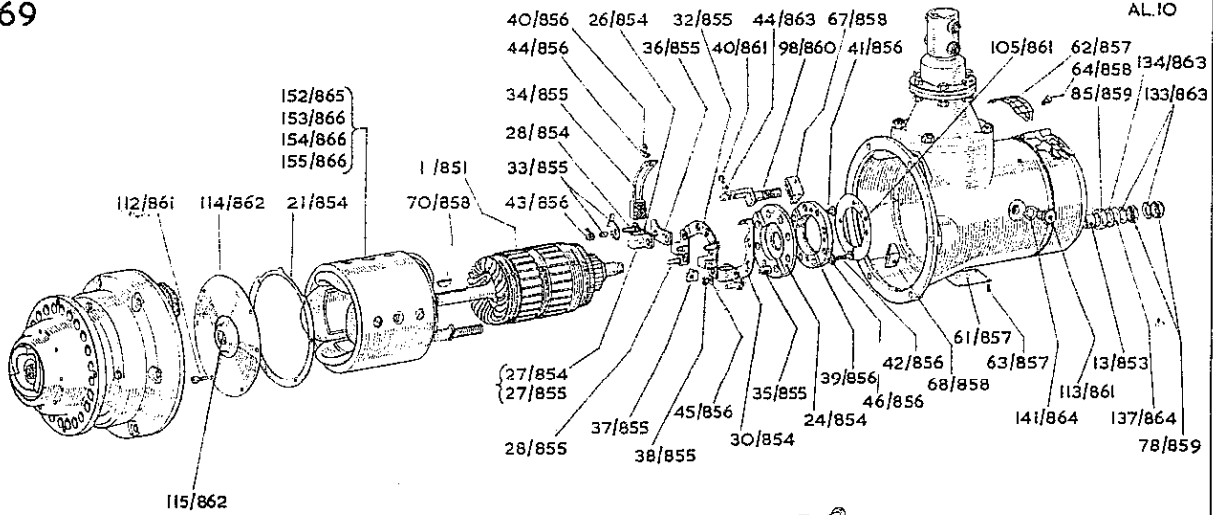


INJECTION CARBURETTOR



MAGNETO

ENLARGED VIEW OF CONTACT BREAKER AT POSITION 'A'



STARTER